



NUMBER: 23-004-08

GROUP: Body

DATE: January 16, 2008

This bulletin is supplied as technical information only and is not an authorization for repair. No part of this publication may be reproduced, stored in a retrieval system, or transmitted, in any form or by any means, electronic, mechanical, photocopying, or otherwise, without written permission of Chrysler LLC.

THIS BULLETIN SUPERSEDES SERVICE BULLETIN 23-045-06 DATED OCTOBER 14, 2006 AND 23-051-06 DATED NOVEMBER 4, 2006. ALL REVISIONS ARE HIGHLIGHTED WITH **ASTERISKS**** AND INCLUDE THE ADDITION OF WH/XH/L2 MODELS AND 2008 MODEL YEAR VEHICLES.**

SUBJECT:

Ratcheting Sound During Sunroof Operation

OVERVIEW:

This bulletin involves replacing the sunroof drive cable conduit.

MODELS:

2004 - **2008** (DR)	Ram Truck
**2007 (L2)	300C (China) **
2005 - **2008** (LE)	300C/300C Touring (International Markets)
2005 - 2008 (LX)	300/Charger/Magnum
**2005 - 2008 (WH)	Grand Cherokee (International Markets) **
2005 - **2008** (WK)	Grand Cherokee
**2006 - 2008 (XH)	Commander (International Markets) **
2006 - 2008 (XK)	Commander

NOTE: This bulletin applies to DR/L2/LE/LX/WH/WK models with a Power Sunroof (sales code GWA) built before October 31, 2007 (MDH1031XX) and XH models with a Power Sunroof (sales code GWF) built before December 19, 2007 (MDH1219XX) and XK models with a Power Sunroof (sales code GWF) built before November 07, 2007 (MDH1107XX).

SYMPTOM/CONDITION:

A ratcheting sound is heard from sunroof module as the glass approaches the full open position.

DIAGNOSIS:

Lower the headliner to view the rear of the sunroof module assembly. Inspect the cable conduit tube(s) located at the rear corners of the sunroof module assembly for a kinked condition. Kinked condition most frequently occurs at passenger rear corner. If a kinked conduit is discovered, perform the appropriate Repair Procedure based on the vehicle



Stick with the Specialists™

below.

PARTS REQUIRED:

Qty.	Part No.	Description
AR (2)	68003812AA	Conduit, Cable - DR/L2/LE/LX/WH/WK
1	68003816AA	Conduit - XH/XK

REPAIR PROCEDURE - DR/L2/LE/LX/WH/WK:

1. Ensure the sunroof module is in the full closed position.
2. Remove M6 mounting bolts (4) at rear portion of sunroof module.
3. Remove the kinked cable conduit(s) from sunroof module retaining features starting from the end at the metal clip and work back to motor area, see (Fig. 1).

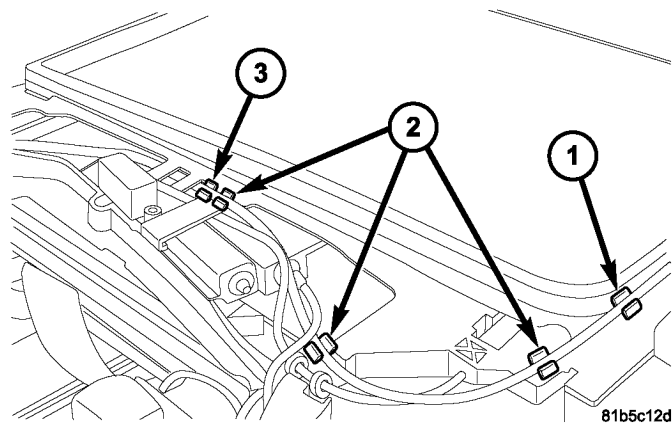


Fig. 1 CONDUIT RETENTION

- 1 - CLIP END
- 2 - RETAINING FEATURES
- 3 - MOTOR END

-
4. Assemble new cable conduit, p/n 68003812AA, in reverse order of (Step #3) by inserting the flared end over the exposed end of the drive cable. Insure the flared end is sitting in the notch on the rear bulk head of sunroof module, (Fig. 2).

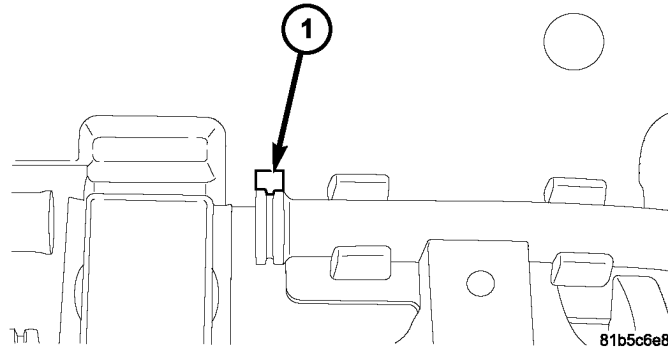


Fig. 2 CONDUIT FLARE INTO NOTCH

1 - LOCATE CONDUIT FLARE INTO NOTCH

5. Snap the cable conduit into the retaining features in the rear bulk head (5 places) with the end of the tube retained in spring clip on the aluminum guide. Ensure the clip is within the provided scribe lines on aluminum guide, (Fig. 3).

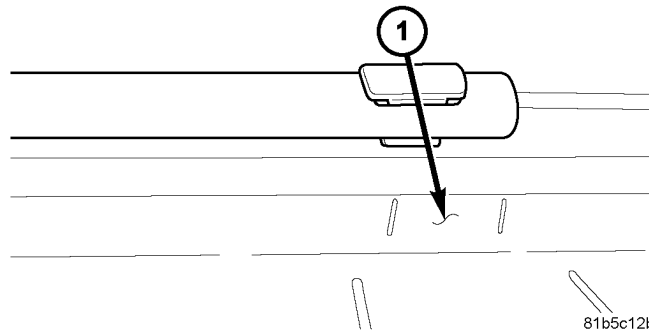


Fig. 3 CLIP TO ALUMINUM GUIDE LOCATION

1 - ENSURE CLIP IS POSITIONED BETWEEN MARKS

6. Torque the mounting bolts to 9 Nm (80 in. lbs.).
7. Operate Sunroof module.
8. Install headliner.

REPAIR PROCEDURE - XH/XK:

1. Put the sunroof in the closed or vent position.
2. Drop headliner right front corner, by removing the right side A-pillar trim, B-pillar trim sun visor, sun visor clip and rear view mirror.
3. Look at and/or feel the drive cable conduit in the radius above the drain hose this is where the conduit will be kinked.
4. Remove 2 sunroof mounting fasteners, (Fig. 4).

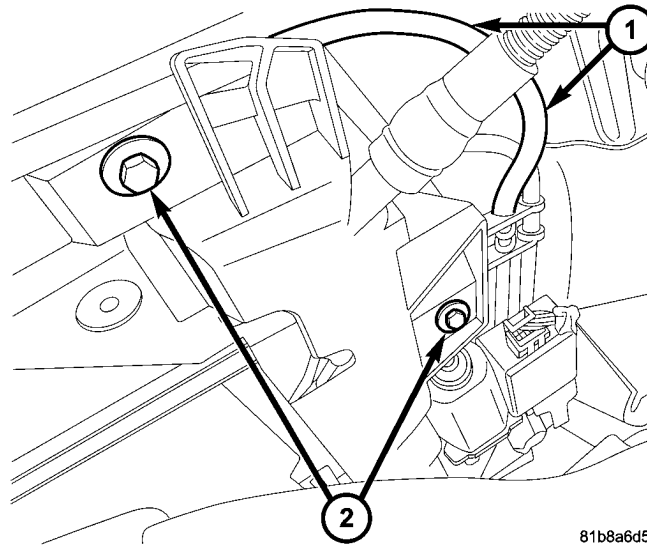


Fig. 4 KINK LOCATION

- 1 - KINK LOCATION
 - 2 - MOUNTING FASTENERS
-

5. Remove conduit from clip at side of sunroof module, (Fig. 5).

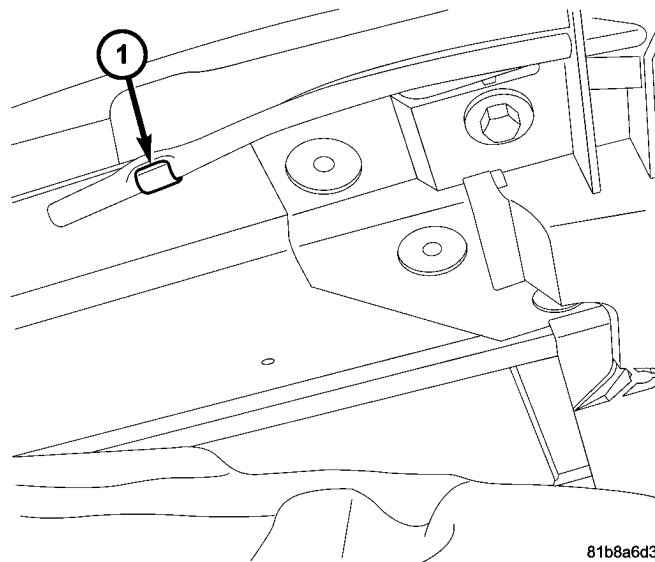


Fig. 5 CONDUIT RETAINER CLIP

- 1 - CLIP
-

6. Push the conduit up and inboard to release it from the retention feature on the front beam, (Fig. 6) item 4.

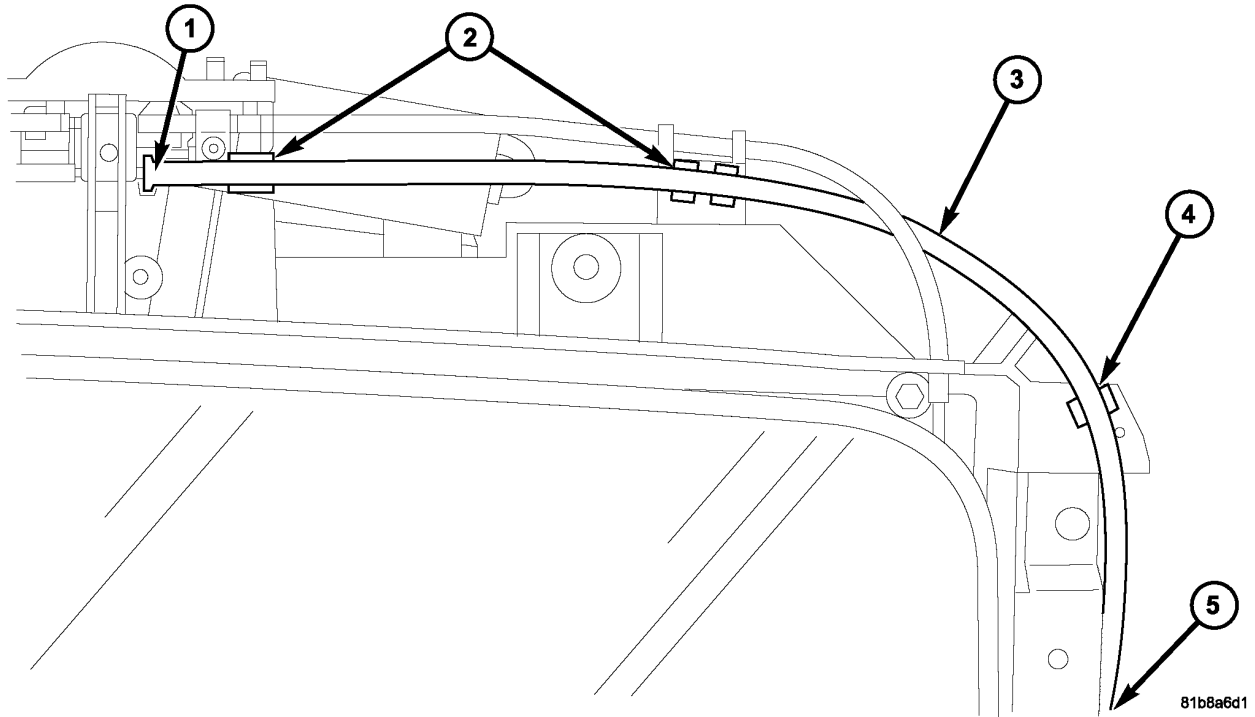


Fig. 6 CONDUIT ROUTING/RETENTION

- 1 - CONDUIT IN NOTCH
- 2 - RETENTION FEATURES
- 3 - CONDUIT
- 4 - FRONT BEAM RETENTION FEATURE
- 5 - CONDUIT CLIP (OUT OF VIEW)

-
- 7. Push the conduit up to release it from the additional retention features, (Fig. 6) item 2.
 - 8. Pull the conduit out from over/off the drive cable.
 - 9. Slide the new conduit, p/n 68003816AA, back over the drive cable. See (Fig. 6) item 1, to ensure conduit is seated into notch to the rear of the steel drive cable tube.
 - 10. Secure the conduit in the retention features shown in (Fig. 6).
 - 11. Install the conduit in the side clip.
 - 12. Operate the sunroof to ensure the ratcheting noise is eliminated.
 - 13. Install the mounting bolts.
 - 14. Install the headliner, A-pillar trim, sun visor and visor clip.

POLICY:

Reimbursable within the provisions of the warranty.

TIME ALLOWANCE:

Labor Operation No:	Description	Amount
23-30-56-94	Replace Sunroof Drive Cable Conduit - One or Both	DR 1.4 Hrs. LE/LX/L2 1.5 HRS. WH/WK 1.2 Hrs.
23-30-56-95	Replace Sunroof Cable Conduit (B)	XH/XK 0.5 Hrs.

FAILURE CODE:

ZZ	Service Action
----	----------------